

# MM200-USP

High precision Ultra Short Pulse laser micromachining in a compact package with multiple configuration options & full CAD compatibility. Use your Photons!



*Just a few examples of structures which can be produced by MM200-USP; stepped hole in s/s, cantilever in optical fibre(courtesy VUA), drossless cutting in Pt foil, drilling of polymer(courtesy Veld laser), scribing of SiN; consult Optec for process advice.*

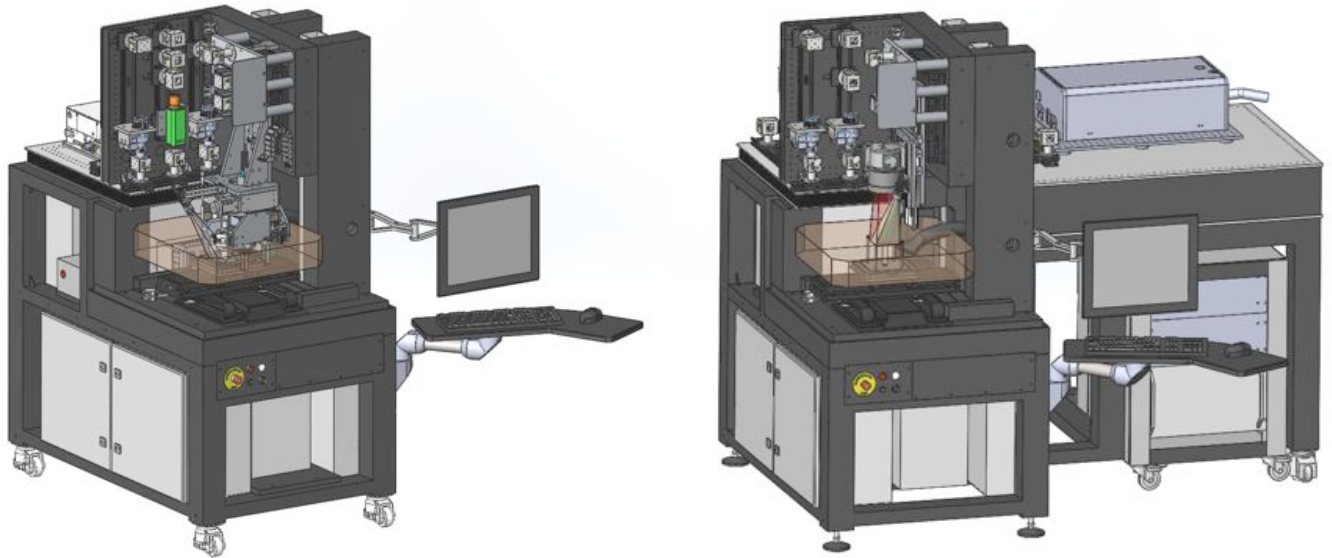
**OPTEC**  
laser micromachining systems

Avenue des Nouvelles Technologies 53, BE-7080 Frameries, Belgium  
Tél. +32 (65)78.18.08 - Fax +32 (65)78.20.35 - [info@optec.be](mailto:info@optec.be) - [www.optec.be](http://www.optec.be)

## **KEY FEATURES**

- ❖ Choice of ns, ps & fs laser sources & wavelength to match each application, incl. multi wavelength
- ❖ Rock-solid 450kg granite space frame with choice of optics configuration, incl. turret optics
- ❖ 200x200mm working area X,Y, 1µm precision; 100mm Z, rotary stage options.
- ❖ On board colour motorized zoom inspection microscope for crystal clear viewing 60X-750X.
- ❖ ProcessPower with OptecCAD allows attribution of lasing parameters by layer or by entity, plus full range of processing tools including hatching, helical drilling, slicing, segmentation etc. ask for a demo of OptecCAD.

## ***MM200-USP - one design, multiple configurations; mix & match to suit your application***



- \* Small format sources in single module(L), larger sources or where ancillary equipment is required in 2 modules(R)
- \* Single interchangeable 85mm format galvo/scan lens(R) or trepanning head, OR motorized turret optics(L) with up to 4 separate optics stations, each of which can be indexed above the part on process. Each station can accept 55mm format galvo/scan lenses, fixed optics including microscope objectives, or other equipment, including profiler or ancillary process equipment.
- \* Typical 3 wavelength facility for source equipped with SHG & THG includes galvo/scan lens for each wavelength, one addition fixed lens, autofocus sensor and topography probe. Single mouse click wavelength change.
- \* Spot sizes down to 5µm with scan optics, 1µm with fixed optics.
- \* Standard 200mm stroke 1µm precision linear motor XY stages, with IFOV option extending effective scan range to full stage stroke 200x200mm

## **EASE OF USE**

- \* Fully integrated system
- \* Ergonomic work position.
- \* Fully interlocked safety covers
- \* Class 1 laser system.
- \* CE certified.

## **REQUIREMENTS**

220 VAC/115 VAC Single phase

## **SERVICE**

☎ +32.65.78 18 08  
☎ +32.65.78 20 35  
e-mail:support@optec.be

