

PowerLine E Series

Laser markers with
a wide range
of applications

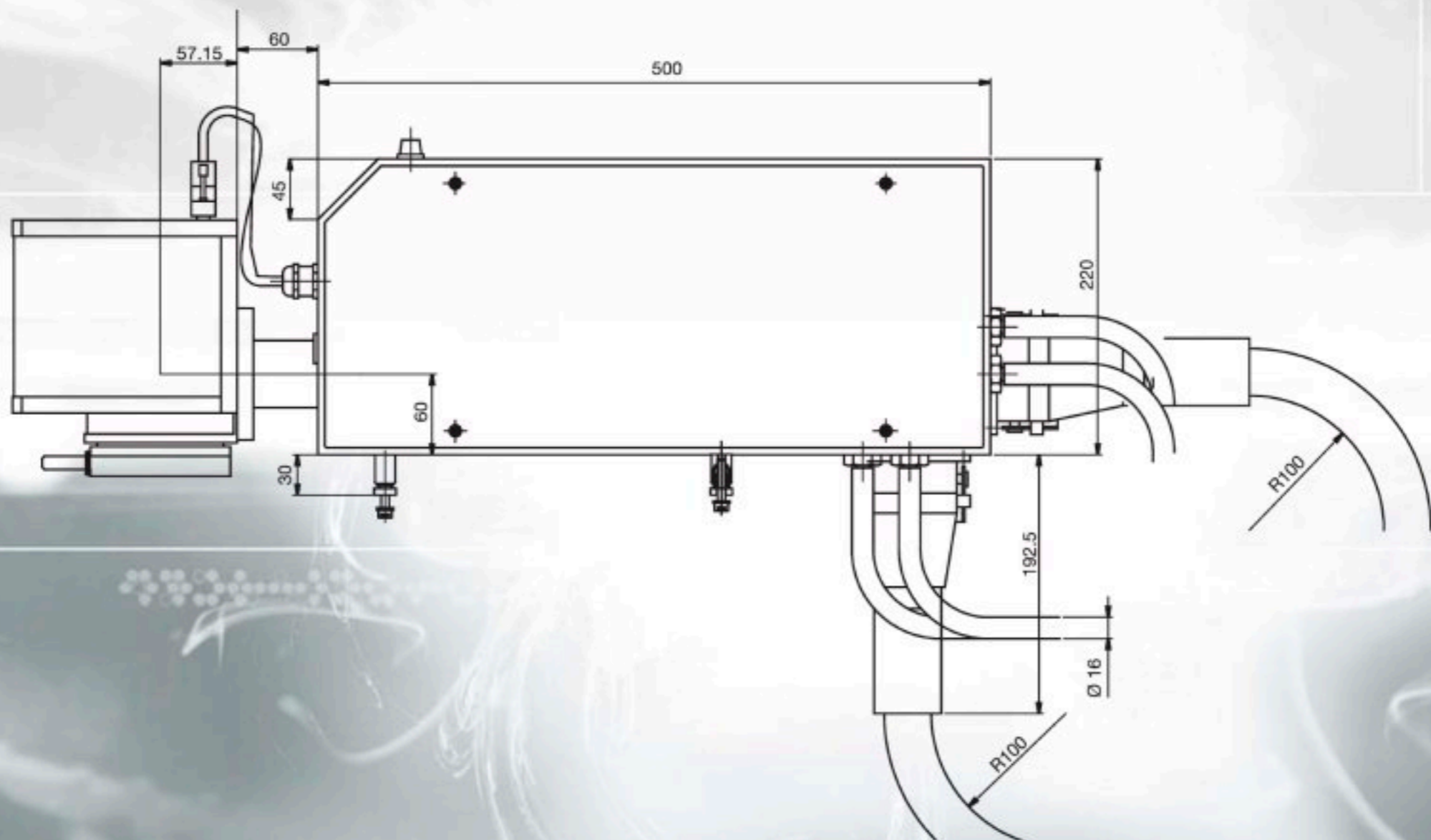
- Universal 
- Flexible 
- Fast 



WE
THINK
LASER

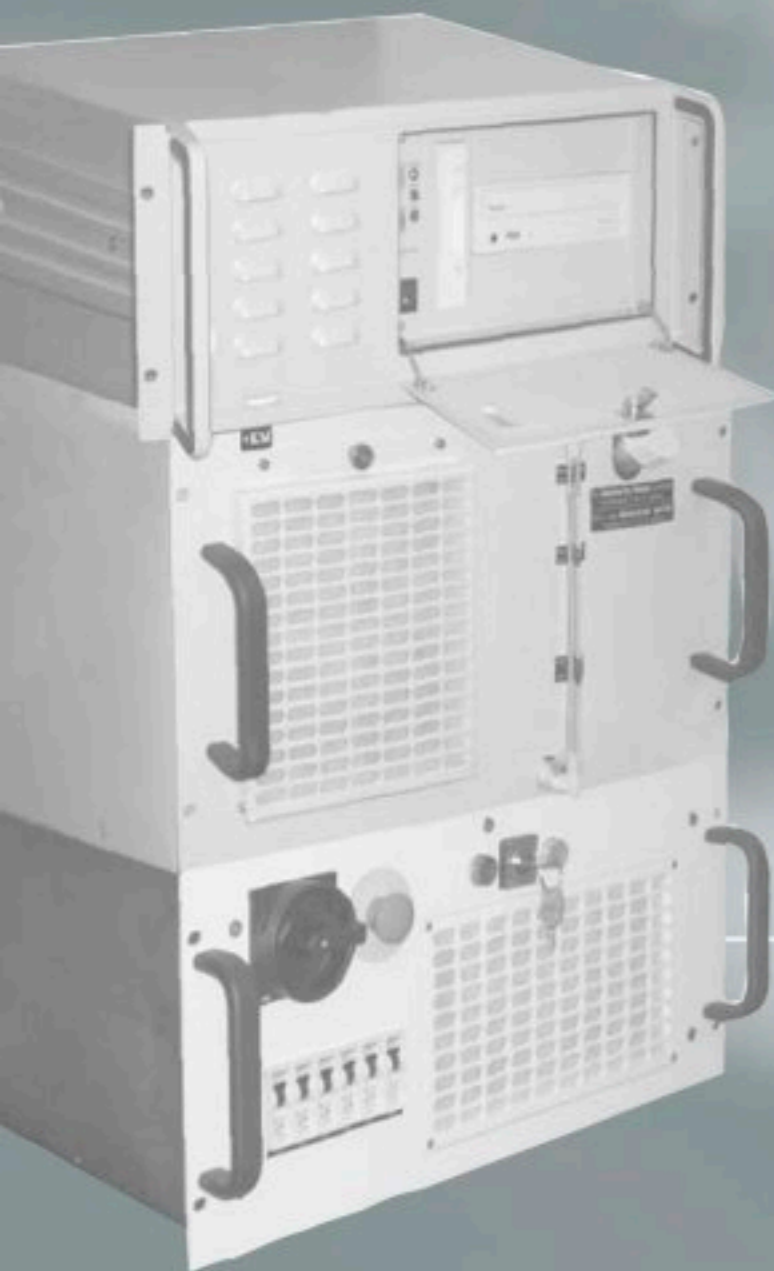
Wide range of applications for best results

PowerLine E – a universal laser marker with a wide range of applications and outstanding functionality that can be adapted to precisely fit your needs and demands.



BRAND: USER GUIDE
PART NO: 81770
CHECK: 81770-001
REV: 08.07.19

BRAND: USER GUIDE
PART NO: 81770
CHECK: 81770-001
REV: 08.07.19



Technical data

Laser head

Wavelength:	1064 nm / 532 nm / 355 nm
Pulse frequency:	1 - 200 kHz (cw only at 1064 nm)
Dimensions (L x W x H):	500 x 118 x 220 mm
Weight:	approx. 19 kg
Safety class:	IP 54

Marking unit

Marking field size:	120 x 120 mm (other field sizes on demand)
Focal distance:	160 mm (other focal distances on demand)
Dimensions (L x W x H):	167 x 118 x 200 mm
Weight:	approx. 3.5 kg
Safety class:	IP 54

Supply unit

Dimensions (D x W x H), Weight:		
19" version:	el. unit:	450 mm x 19" x 5 HE; 34.5 kg
	cooling:	580 mm x 19" x 6 HE; 50 kg
Stand alone version Basic:		630 x 600 x 600 mm standard, 115 kg
Stand alone version Performance:		630 x 600 x 820 mm, 135 kg
Cooling:		Integrated air cooling
Power supply:		230 V ± 10%, 50 Hz / 60 Hz, one phase
Connection:		max. 1.9 kVA
Safety class:		IP 54, IP 20 (19" components)

Universal

The laser markers of the PowerLine E family offer you a wide range of applications. Our comprehensive know how enables us to find the optimum solution for every material and every kind of marking task in close cooperation with our customers. Glass, metal or plastics, shades of grey or barcodes – with a wide selection of technical options we achieve results that precisely fit your expectations.

Flexible

A compact laser housing of only 500 mm length and the integrated air cooling facilitate easy mounting into customer-specific installations. ROFIN's comprehensive application experience guarantees perfect integration of one or more markers into customer machines and manufacturing lines.

Fast

High-pulse frequencies provide particularly short marking times. The outstanding mechanical and optical quality ensure precise marking results and reliable operation in tough everyday industrial environments.



Source: Infoglyph

ROFIN-SINAR Laser GmbH
Neufeldstraße 16/Günding
D-85232 Bergkirchen
Tel: +49(0)8131-704-0
Fax: +49(0)8131-704-100

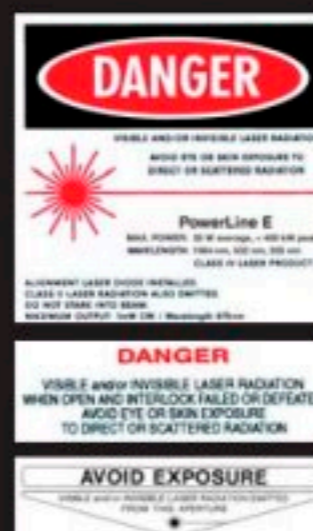
Carl Baasel Lasertechnik GmbH & Co. KG
Petersbrunner Straße 1b
D-82319 Starnberg
Tel: +49(0)8151-776-0
Fax: +49(0)8151-776-159

ROFIN-SINAR Laser GmbH
Berzeliusstraße 83
D-22113 Hamburg
Tel: +49(0)40-733 63-0
Fax: +49(0)40-733 63-100

MARKING

MICRO

MACRO



Technical data is subject to change without prior notice.